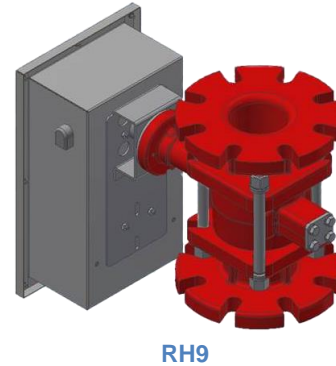
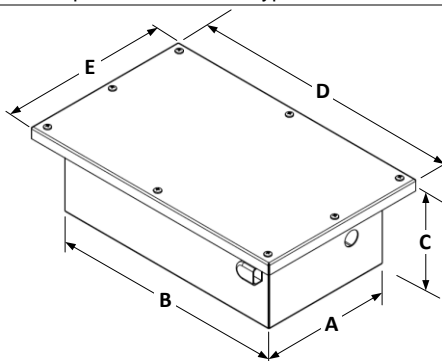


### Description

Rain Hood (RH) protects actuators installed on valves against rain in outdoor installations.



### Technical Specifications

Description	RH9
Actuator Compatibility	All Neptronic T and R series actuators installed on Griswold Controls Unimizer valves (4" to 6", 2-way & 3-way)
Material	304 stainless steel
Access	Removable top panel
Ingress Protection	IP 54 equivalent to NEMA Type 3
Dimensions A = 7.25"   185 mm B = 13"   330 mm C = 4.63"   117 mm D = 15.13"   384 mm E = 9.38"   238 mm	

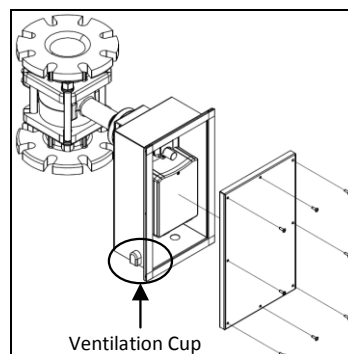


**CAUTION:** Rain Hood does not protect the actuators in corrosive and saline environments.

### Mounting Instructions

The RH9 can be mounted either vertically or horizontally.

1. Remove the casing cover and wire the actuator according to the local electrical code. Ensure that UL listed electrical fittings for NEMA type 3 conditions are used for the hole provided.



2. Reattach the cover and ensure that the opening of the ventilation cup is always facing the ground. If the position of the ventilation cup is changed, ensure to tighten it firmly.